

RAJA[®]

Electric Hoists

FEATURES

- * EASY & SMOOTH OPERATION
- * HEAVY DUTY
- * MINIMUM MAINTENANCE
- * LIGHT WEIGHT
- * S-4 DUTY HOISTS
- * LOW HEAD ROOM
- * MONORAIL TROLLEY
ADJUSTABLE FOR
WIDE RANGE OF BEAMS

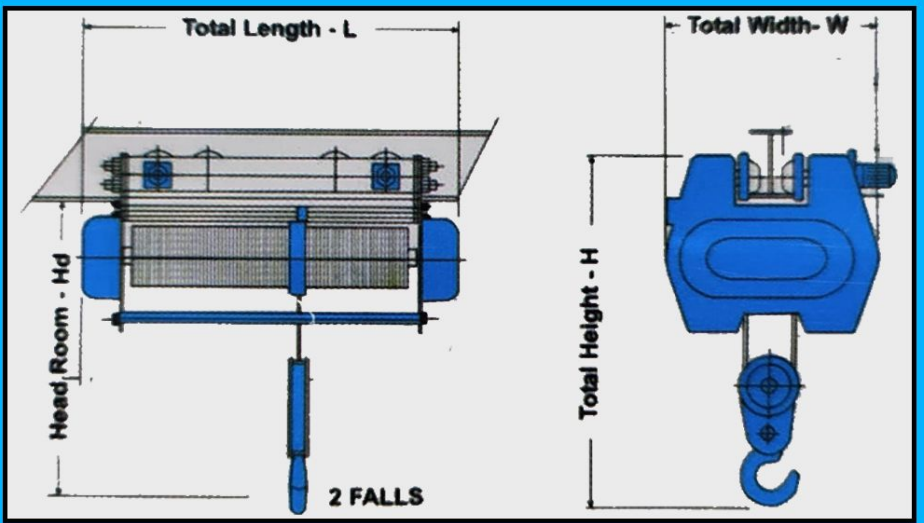


MANUFACTURERS:

FORGINGS INDIA - INDIA

KOLKATA - WEST BENGAL





Capacity	1 TON	2 TON	3 TON	5 TON
Standard Lift (M)	6	6	6	6
Hoisting Motor (HP)	1.5	3.0	3.0	6
Hoisting Speed (MPM) Approx	4.5-5	4.5-5	3.5-4	3.5-4
CT Motor (HP)	0.5	0.5	0.5	0.75
CT Speed (MPM)	12-15	12-15	12-15	12-15
No. of Fall	2	2	4	4
Headroom (Hd)	630	680	900	920
Total Length (L)	800	860	920	1000
Total Width (W)	620	620	620	850
Total Height (H)	760	850	950	1170

- Design:** RAJA hoists are designed as per IS 3933.
- Modular Construction:** RAJA hoists are very compact with elegant appearance. Hoist motor with brake, electrical controls, gears and trolley drive unit are easily accessible. Each unit can be separately assembled and easily dismantled. This simplifies repairs, maintenance, cost and downtime.
- Gear Boxes:** Triple reduction helical hoist gearing grease tight gear case.
- Rope Drum:** Rope drum deep grooved with heavy duty rope guide as standard.
- Motor:** Motors conforming to IS 325, designed specifically for hoisting services S-4 Duty.
- Brakes:** heavy duty DC disc brake rated at 200% torque, provides quick, positive stops and load holding.
- Control Panel:** All controls housed in a NEMA 4/12 enclosure with easily accessible electrical components. Upper / Lower limit switch is standard for regulated load travel. Optional multi-speed hoist and trolley control for smooth acceleration and precise load positioning.
- Hook:** Drop forged steel hook mounted on thrust bearing that rotates 360 deg. for easy load handling.
- Gear:** All gear are made from high carbon steel with smooth thuth with harding & temparing condition.
- Push Button Pendant:** PB Switch of reputed make is used with multiple stations are required.