

KING - H

TRIPLE SPUR GEAR CHAIN PULLEY BLOCKS
a product of "RAJA" Group



MADE IN INDIA



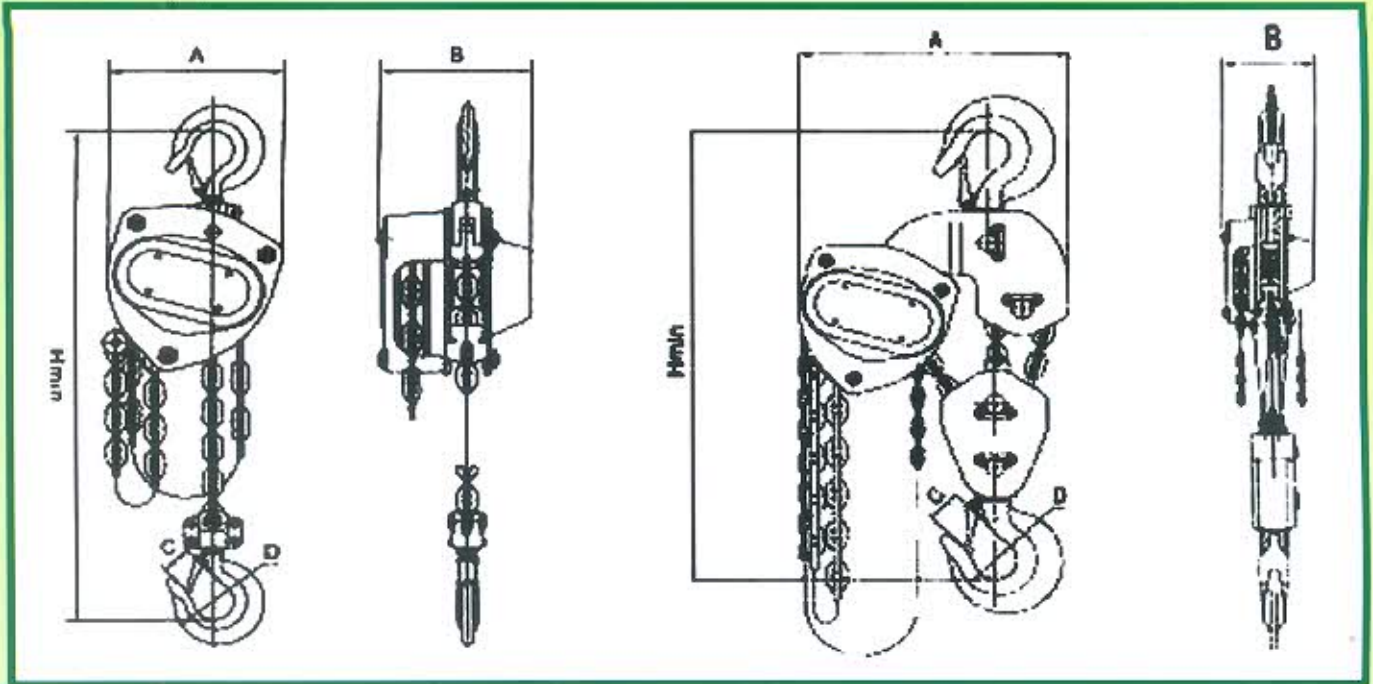
- **Light Weight & Heavy Duty**
- **Powder Coated Finish**
- **Smooth Hand Chain Operation**
- **High Operating Efficiency**
- **Extended Working Life**
- **Use of Ball Bearing**
- **Load Chain Gr. 80 IS std.**
- **Double Guide Roller**

Mfg. by : FORGINGS INDIA, Kolkata



KING-H

TRIPLE SPUR GEAR CHAIN PULLEY BLOCKS



Technical Specifications

Capacity Load (KG)	Lifting Height (m)	Number of falls	Load Chain	Hand Chain	Force (N)	Net Weight (Kg)	Body Weight (Kg)	A	B	C	Hmin
1000	3	1	8 x 24	5 x 20	250	16.5	9.8	184	168	30	445
2000	3	1	8 x 24	5 x 20	335	18.6	11.8	184	168	38	490
3000	3	1	10 x 30	5 x 20	372	25.3	19.2	220	185	40	550
5000	3	2	10 x 30	5 x 20	355	42.00	29.5	220	185	46	660
7500	3	3	10 x 30	5 x 20	370	64.00	42.00	471	185	62	705
10000	3	4	10 x 30	5 x 20	380	84.00	56.00	471	185	64	715

MANUFACTURED & Marketed by:

FORGINGS INDIA
KOLKATA (WEST BENGAL) INDIA

Dealers name & address